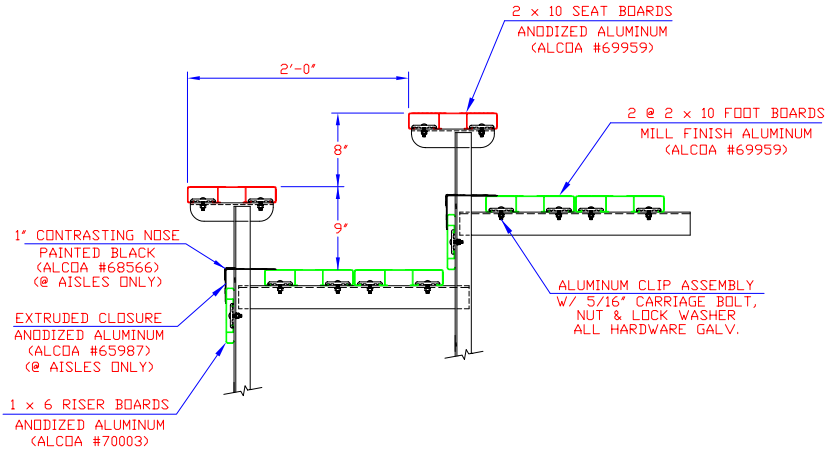
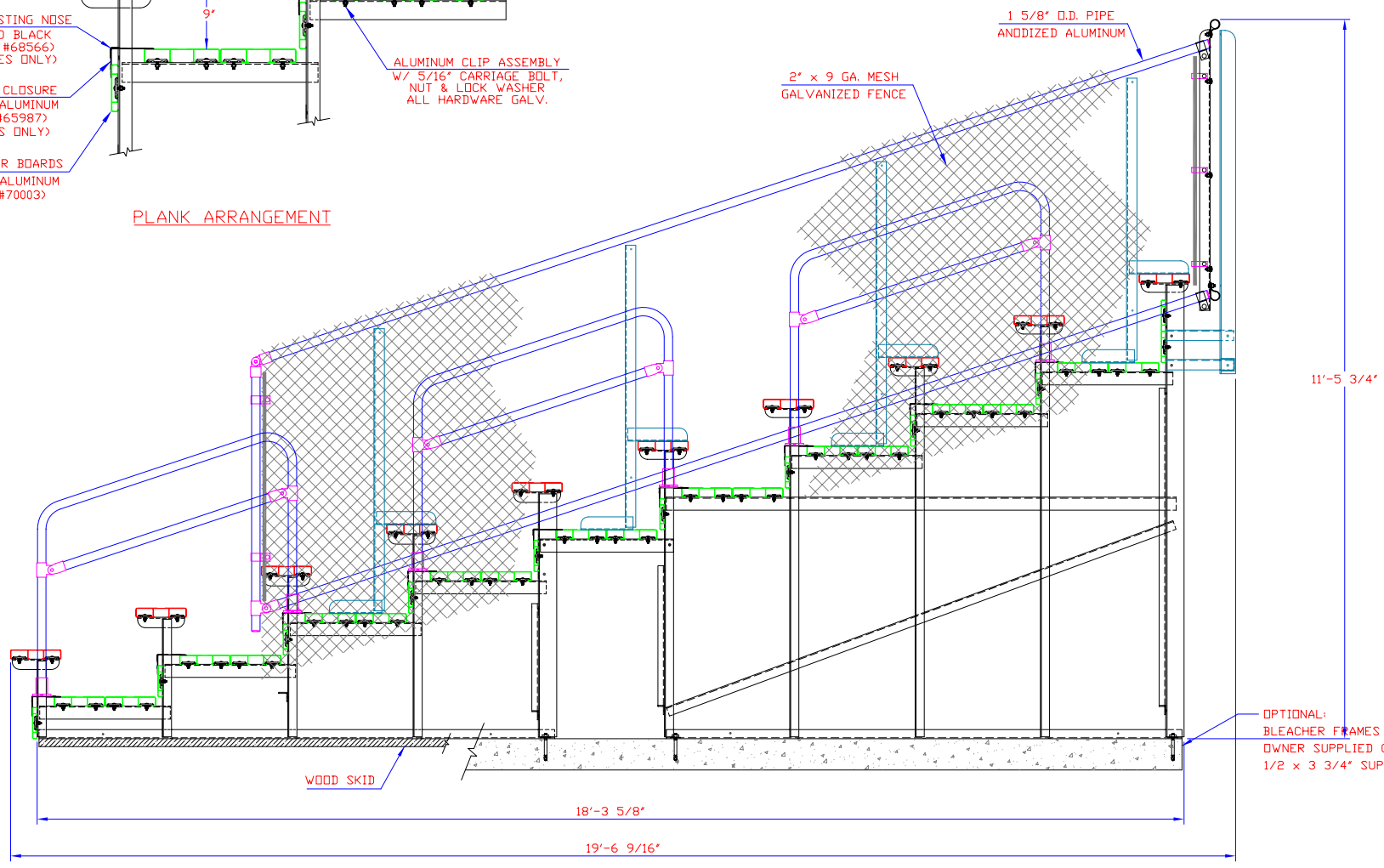


LETTER	REVISIONS	BY	DATE



PLANK ARRANGEMENT



OPTIONAL:  
BLEACHER FRAMES CAN BE ATTACHED TO  
OWNER SUPPLIED CONCRETE PAD USING  
1/2 x 3 3/4" SUP-R-STUDS (NOT INCLUDED)

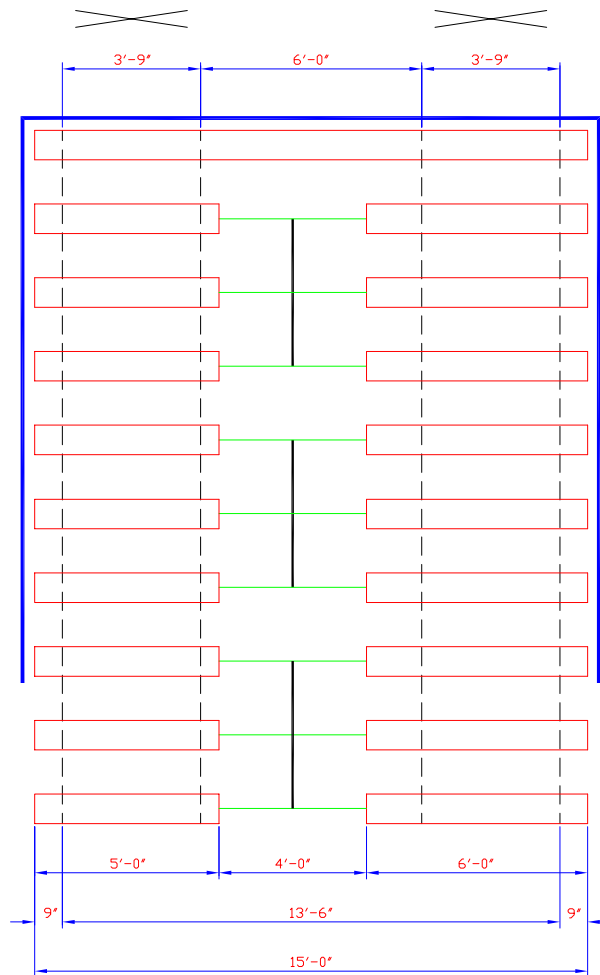
10 ROW UNIT

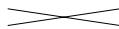
END ELEVATION

ALL FRAMING & BRACING ANGLES 1 3/4 x 1 3/4 x 3/16  
 ALL STRUTS & BRACING ANGLES 1 1/4 x 1 1/4 x 3/16  
 ALL ALUMINUM FOOT BOARD ANGLES 2 1/2 x 2 x 3/16  
 UNLESS NOTED

<b>ALUMINUM 6061-T6 UNDERSTRUCTURE</b> THIS DRAWING INCLUDING THE PRINCIPLES OF DESIGN IS THE PROPERTY OF AND IS SUBMITTED BY E & D SPECIALTY STANDS, INC. WITH THE AGREEMENT THAT IT IS NOT TO BE REPRODUCED, COPIED OR LOANED IN PART OR WHOLE, NOT TO BE USED IN ANY MANNER THAT MAY CONSTITUTE A DETRIMENT DIRECTLY OR INDIRECTLY TO E & D SPECIALTY STANDS, INC. ACCEPTANCE OF THIS DRAWING WILL BE CONSTRUED AS AN AGREEMENT TO THE ABOVE.	SCALE	REFERENCE DWG.	<b>END ELEVATION</b> <b>10 ROW PORTABLE w/CENTER AISLE</b> <b>(2) FOOT BOARDS w/RISERS</b>
	3/4"=1'-0"		
	DRAWN BY D.K.	CHECKED BY	
	DATE 3/23/04	DATE	
<b>E &amp; D SPECIALTY STANDS, INC.</b> <b>NORTH COLLINS, NEW YORK</b>		<b>P1024-15-AL</b>	

LETTER	REVISIONS	BY	DATE



  
 INDICATES CROSS BRACING  
 ALL STRUTS CONTINUOUS

PLAN OF BLEACHER

SEATING CAPACITY  
@ 18" PER SEAT = 73

<b>ALUMINUM 6061-T6 UNDERSTRUCTURE</b> <small>THIS DRAWING INCLUDING THE PRINCIPLES OF DESIGN IS THE PROPERTY OF AND IS SUBMITTED BY E &amp; D SPECIALTY STANDS, INC. WITH THE AGREEMENT THAT IT IS NOT TO BE REPRODUCED, COPIED OR LOANED IN PART OR WHOLE, NOT TO BE USED IN ANY MANNER THAT MAY CONSTITUTE A DETRIMENT DIRECTLY OR INDIRECTLY TO E &amp; D SPECIALTY STANDS, INC. ACCEPTANCE OF THIS DRAWING WILL BE CONSTRUED AS AN AGREEMENT TO THE ABOVE.</small>	SCALE 3/8"=1'-0"	REFERENCE DWG.	<b>PLAN OF BLEACHER</b> <b>10 ROW PORTABLE w/CENTER AISLE</b> <b>(2) FOOT BOARDS w/RISERS</b>
	DRAWN BY D.K.	CHECKED BY	
	DATE 3/23/04	DATE	
<b>E &amp; D SPECIALTY STANDS, INC.</b> <b>NORTH COLLINS, NEW YORK</b>			<b>P1024-15-AL</b>