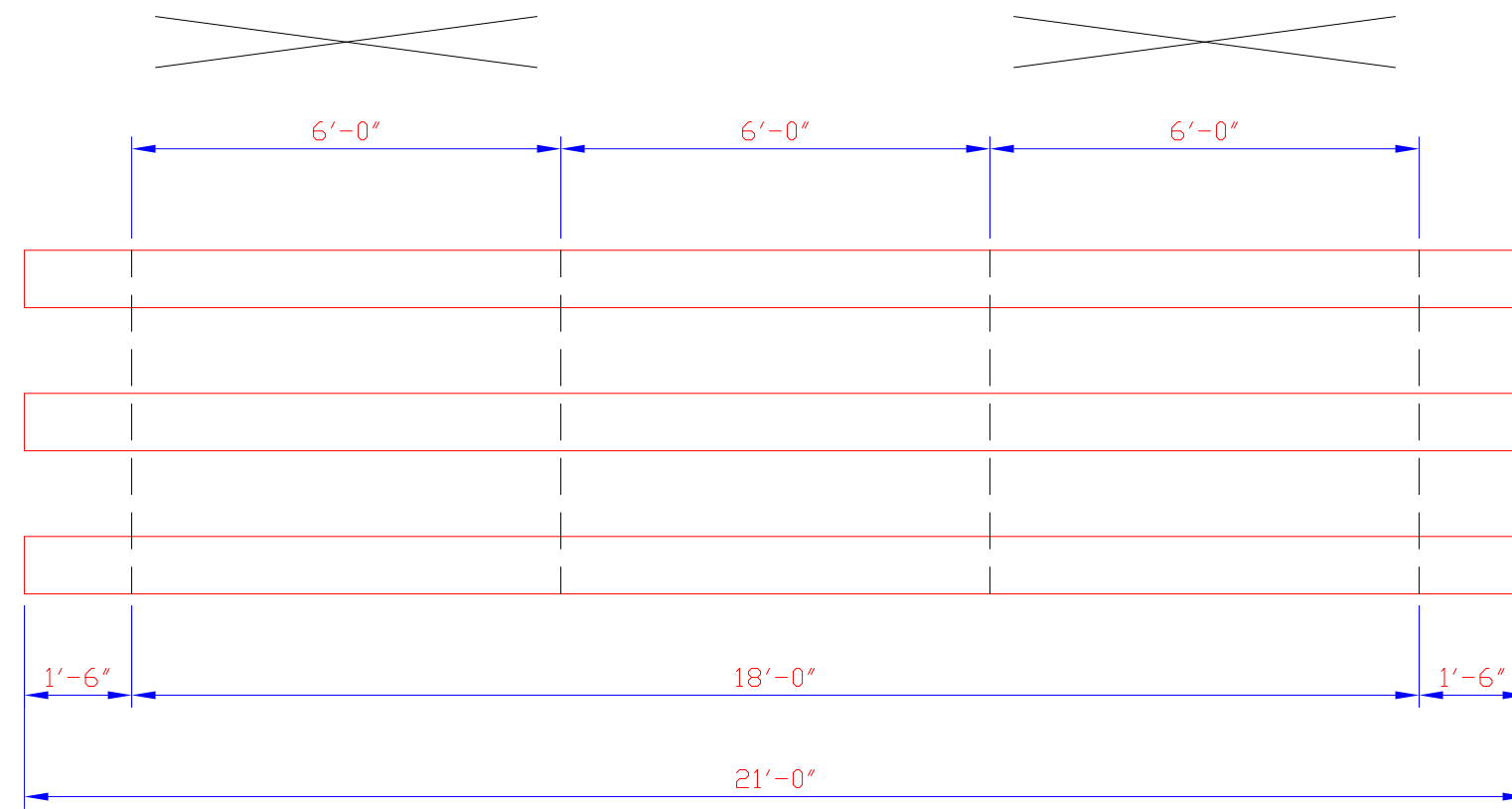
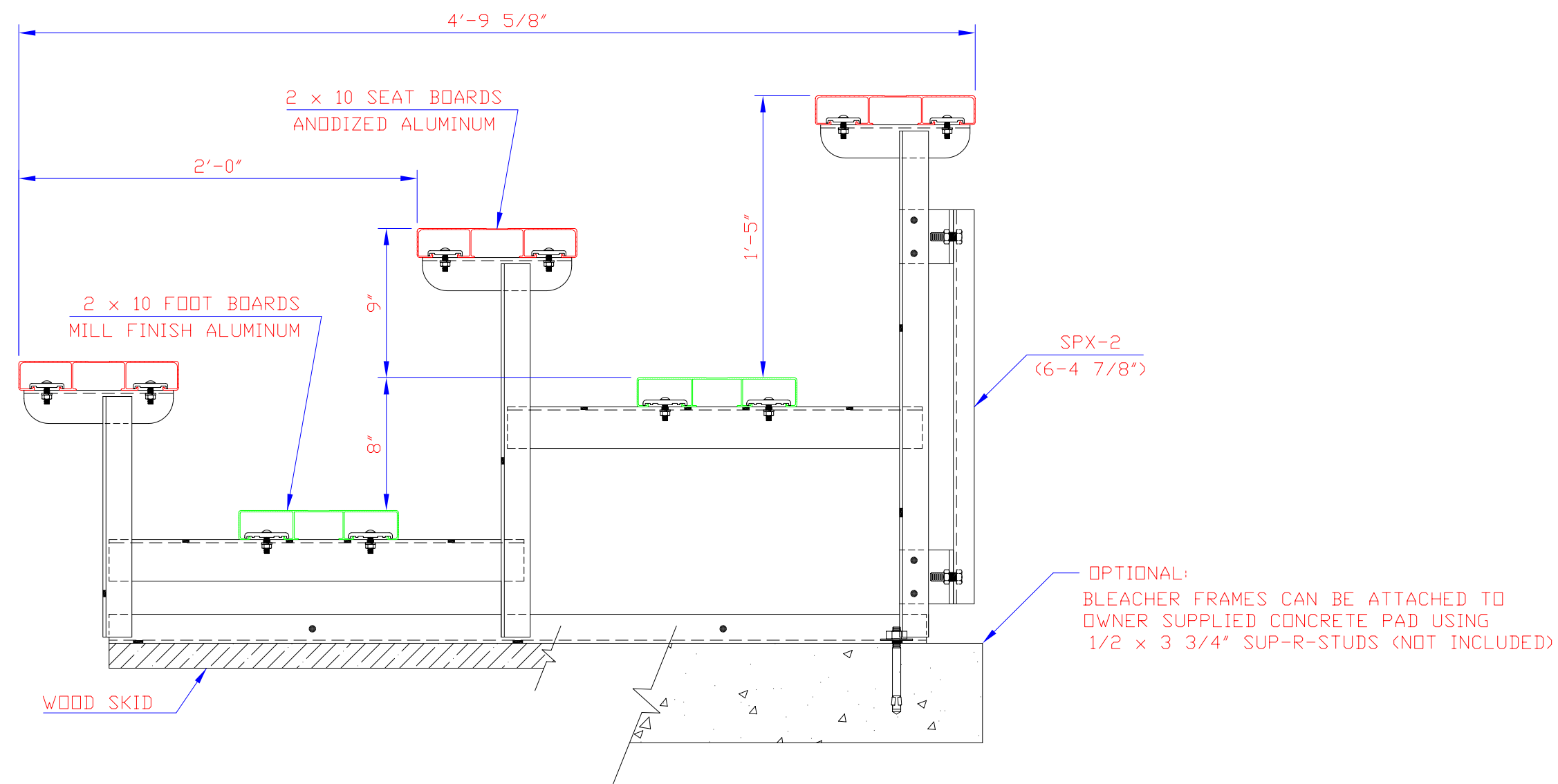


LETTER	REVISIONS	BY	DATE



INDICATES CROSS BRACING

PLAN OF BLEACHER
(1/4 SCALE)



SEATING CAPACITY
@ 18" PER SEAT = 42

END ELEVATION

ALL FRAMING ANGLES 1 3/4 x 1 3/4 x 3/16"
ALL STRUTS & BRACING ANGLES 1 1/4 x 1 1/4 x 3/16"
ALL ALUMINUM FOOT BOARD ANGLES 2 1/2 x 2 x 3/16"
UNLESS NOTED

<p>ALUMINUM 6061-T6 UNDERSTRUCTURE</p> <p>THIS DRAWING INCLUDING THE PRINCIPLES OF DESIGN IS THE PROPERTY OF AND IS SUBMITTED BY E & D SPECIALTY STANDS, INC. WITH THE AGREEMENT THAT IT IS NOT TO BE REPRODUCED, COPIED OR LOANED IN PART OR WHOLE, NOT TO BE USED IN ANY MANNER THAT MAY CONSTITUTE A DETRIMENT DIRECTLY OR INDIRECTLY TO E & D SPECIALTY STANDS, INC. ACCEPTANCE OF THIS DRAWING WILL BE CONSTRUED AS AN AGREEMENT TO THE ABOVE.</p>	SCALE	REFERENCE DWG.	<p>END ELEVATION & PLAN VIEW 3 ROW UNIT STANDARD PORTABLE</p>
	1 1/2"=1'		
	DRAWN BY	CHECKED BY	
	D.K.		
DATE	DATE	<p>E & D SPECIALTY STANDS, INC. NORTH COLLINS, NEW YORK</p>	
2/4/04		<p>P324-21</p>	