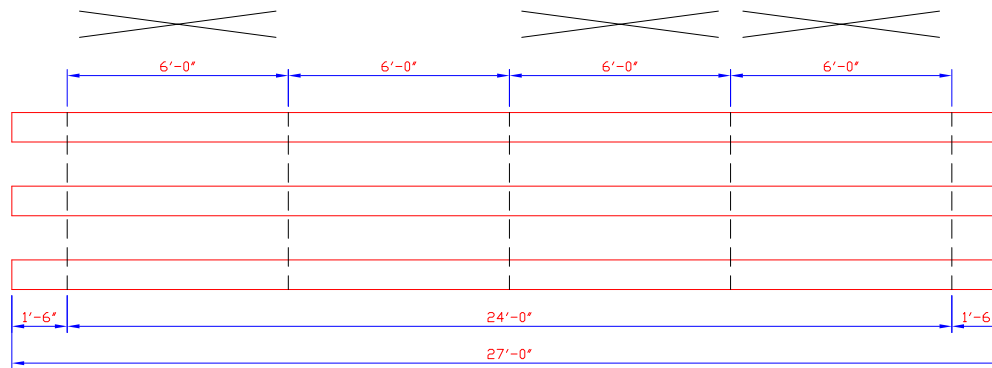
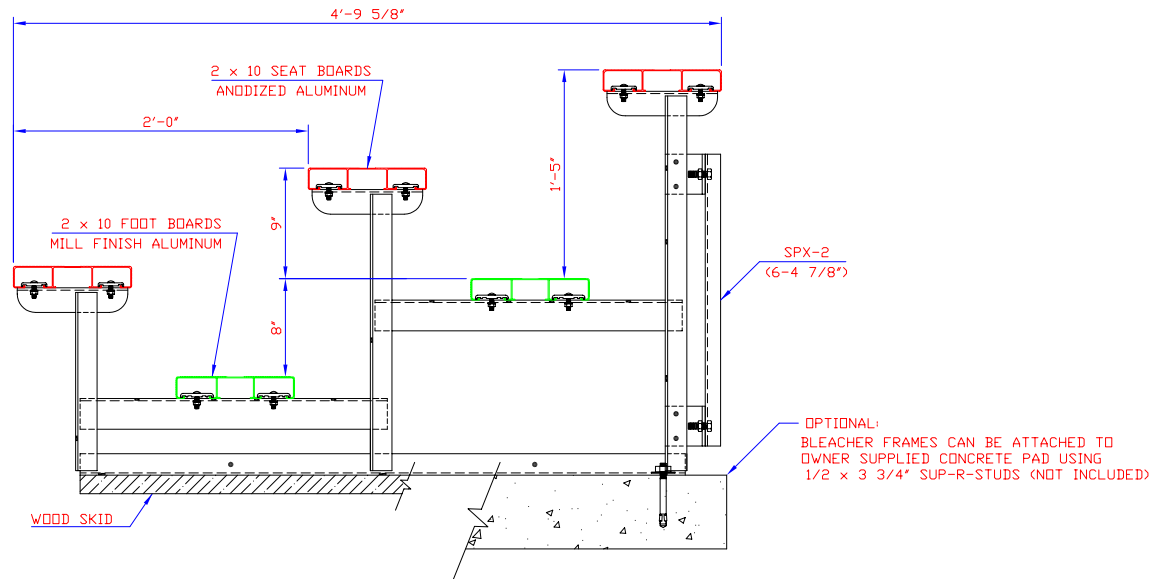


LETTER	REVISIONS	BY	DATE



  
INDICATES CROSS BRACING

PLAN OF BLEACHER  
(1/4 SCALE)



SEATING CAPACITY  
@ 18" PER SEAT = 54

END ELEVATION

ALL FRAMING ANGLES 1 3/4 x 1 3/4 x 3/16"  
ALL STRUTS & BRACING ANGLES 1 1/4 x 1 1/4 x 3/16"  
ALL ALUMINUM FOOT BOARD ANGLES 2 1/2 x 2 x 3/16"  
UNLESS NOTED

<b>ALUMINUM 6061-T6 UNDERSTRUCTURE</b> <small>THIS DRAWING INCLUDING THE PRINCIPLES OF DESIGN IS THE PROPERTY OF AND IS SUBMITTED BY E &amp; D SPECIALTY STANDS, INC. WITH THE AGREEMENT THAT IT IS NOT TO BE REPRODUCED, COPIED OR LOANED IN PART OR WHOLE, NOT TO BE USED IN ANY MANNER THAT MAY CONSTITUTE A DETRIMENT DIRECTLY OR INDIRECTLY TO E &amp; D SPECIALTY STANDS, INC. ACCEPTANCE OF THIS DRAWING WILL BE CONSTRUED AS AN AGREEMENT TO THE ABOVE.</small>	SCALE	REFERENCE DWG.	<b>END ELEVATION &amp; PLAN VIEW</b> <b>3 ROW UNIT</b> <b>STANDARD PORTABLE</b>
	DRAWN BY	CHECKED BY	
	DATE	DATE	
	2/4/04		
<b>E &amp; D SPECIALTY STANDS, INC.</b> <b>NORTH COLLINS, NEW YORK</b>		<b>P324-27</b>	