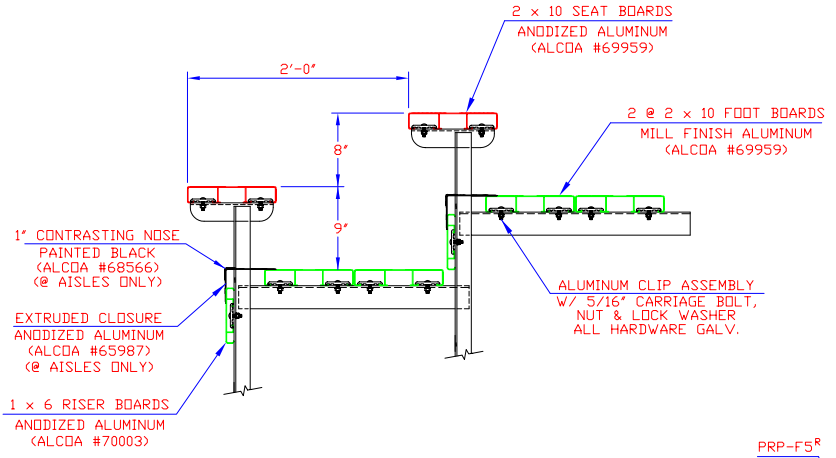
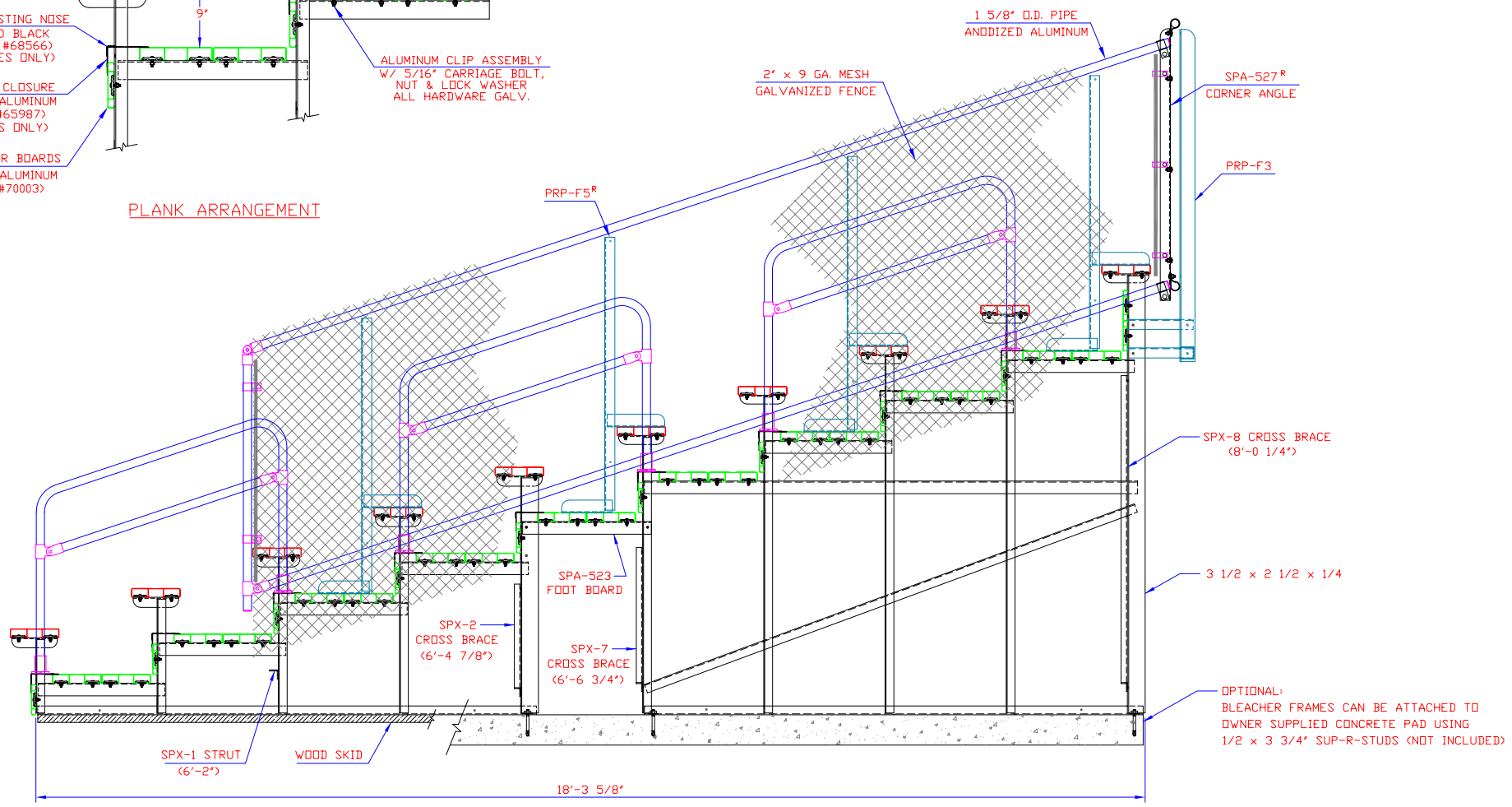


LETTER	REVISIONS	BY	DATE



PLANK ARRANGEMENT



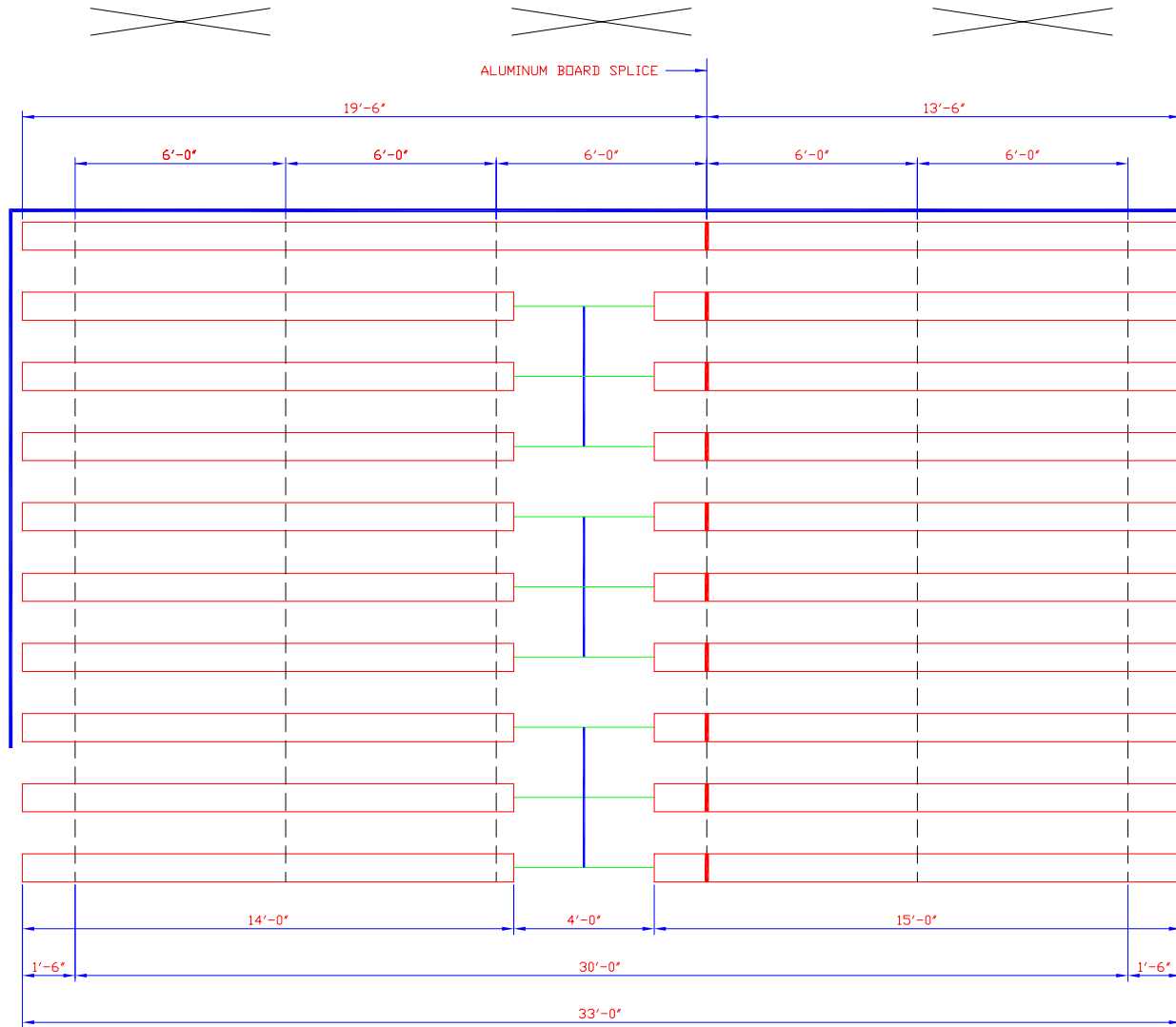
END ELEVATION

10 ROW UNIT

ALL FRAMING & BRACING ANGLES 1 3/4 x 1 3/4 x 3/16
 ALL STRUTS & BRACING ANGLES 1 1/4 x 1 1/4 x 3/16
 ALL ALUMINUM FOOT BOARD ANGLES 2 1/2 x 2 x 3/16
 UNLESS NOTED

ALUMINUM 6061-T6 UNDERSTRUCTURE THIS DRAWING INCLUDING THE PRINCIPLES OF DESIGN IS THE PROPERTY OF AND IS SUBMITTED BY E & D SPECIALTY STANDS, INC. WITH THE AGREEMENT THAT IT IS NOT TO BE REPRODUCED, COPIED OR LOANED IN PART OR WHOLE, NOT TO BE USED IN ANY MANNER THAT MAY CONSTITUTE A DETRIMENT DIRECTLY OR INDIRECTLY TO E & D SPECIALTY STANDS, INC. ACCEPTANCE OF THIS DRAWING WILL BE CONSTRUED AS AN AGREEMENT TO THE ABOVE.	SCALE 3/4"=1'-0"	REFERENCE DWG.	END ELEVATION 10 ROW PORTABLE w/CENTER AISLE (2) FOOT BOARDS w/RISERS P1024-33-AL
	DRAWN BY D.K.	CHECKED BY	
	DATE 3/24/04	DATE	
	E & D SPECIALTY STANDS, INC. NORTH COLLINS, NEW YORK		

LETTER	REVISIONS	BY	DATE



ALUMINUM BOARD SPLICE

INDICATES CROSS BRACING
ALL STRUTS CONTINUOUS

PLAN OF BLEACHER

SEATING CAPACITY
@ 18" PER SEAT = 193

<p>ALUMINUM 6061-T6 UNDERSTRUCTURE</p> <p>THIS DRAWING INCLUDING THE PRINCIPLES OF DESIGN IS THE PROPERTY OF AND IS SUBMITTED BY E & D SPECIALTY STANDS, INC. WITH THE AGREEMENT THAT IT IS NOT TO BE REPRODUCED, COPIED OR LOANED IN PART OR WHOLE, NOT TO BE USED IN ANY MANNER THAT MAY CONSTITUTE A DETRIMENT DIRECTLY OR INDIRECTLY TO E & D SPECIALTY STANDS, INC. ACCEPTANCE OF THIS DRAWING WILL BE CONSTRUED AS AN AGREEMENT TO THE ABOVE.</p>	SCALE	REFERENCE DWG.
	3/8"=1'-0"	
	DRAWN BY	CHECKED BY
	D.K.	
DATE	DATE	
3/24/04		

PLAN OF BLEACHER
10 ROW PORTABLE w/CENTER AISLE
(2) FOOT BOARDS w/RISERS

E & D SPECIALTY STANDS, INC.
NORTH COLLINS, NEW YORK

P1024-33-AL